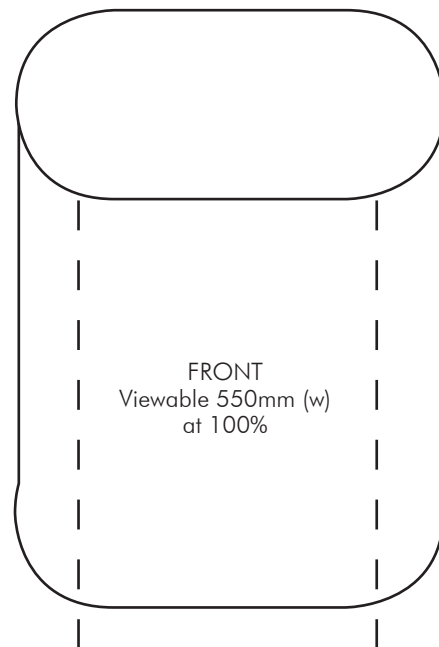
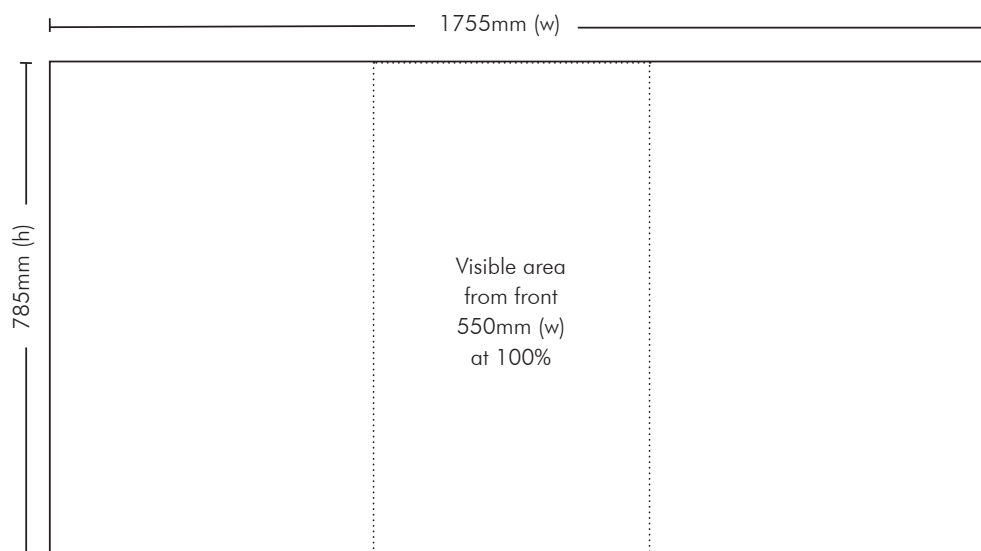


Trolley case - Zeus



The artwork forms a sleeve around the case with the front having a flat visible area of 550mm width at 100%

Artwork Specifications

Artwork dimensions (1 piece):

	WIDTH(mm)	HEIGHT(mm)
100%	1755	785
50%	877.5	392.5

Artwork formats to supply:

- **Illustrator EPS**
Fonts outlined with all placed/pasted artwork in file converted to CMYK and flattened
- **Adobe PDF (2001/X-1a or Press Ready)**
Convert all elements to CMYK including placed files from original artwork source
All fonts outlined and flattened

Colour: Please work in CMYK colour mode (RGB colours will be converted to CMYK before printing and will print differently to the RGB colours that you see on the computer screen). CMYK colours are what we can output. You can use Pantone® colours and we will do our best to match them when printing. Please be aware that colours will be printed as the closest CMYK equivalents.

Note: Web or low resolution graphics can cause unwanted pixelation effects when enlarged therefore we recommend that images used in the artwork be of the highest quality at least 300dpi in 1/4 sized artwork.

We endeavour to check all artwork files before printing however we cannot be held responsible for any issues arising directly from supplied artwork.